



Visit us on the web at www.powertecproducts.com



Put these instructions and the original sales invoice in a safe, dry place for future reference.

IMPORTANT SAFETY INSTRUCTIONS

This system is designed to be used with a vacuum cleaner/dust extractor with at least 100 CFM. Always follow basic safety precautions including the following.

WARNING

For your own safety, read and understand all warnings and operating instructions before using any tool or equipment.

WARNING

Some dust created by operation of power tool contains chemicals known to the State of California to cause cancer, birth defects or other reproductive harm. To reduce your exposure to these chemicals, work in a well ventilated area and work with approved safety equipment. Always wear OSHA/NIOSH approved, properly fitting face mask or respirator when using such tools.

WARNING

Failure to follow these rules may result in serious personal injury. Remember that being careless for even a fraction of a second can result in severe personal injury.

WARNING

- Read, understand and follow the owner's manual and all labels on the tools, vacuum cleaner/dust extractor and this dust collection network before operating. Use ONLY as described in the manuals. To avoid personal injury or damage to vacuum cleaner/dust extractor use only recommended attachments.
- Wear eye protection. Always use safety glasses. Eye protection equipment should comply with ANSI Z87.1 standards.
- To reduce the risk of fire or explosion:
 - Do not pick up anything that is burning or smoking, such as cigarettes, matches, or hot ashes.
 - Do not use to vacuum combustible explosive materials, such as coal, grain, or other finely divided combustible material.
 - Do not use to vacuum hazardous, toxic or carcinogenic materials, such as asbestos or pesticide.
 - Never pick up explosive liquids (e.g. gasoline, diesel fuel, heating oil, paint thinner, etc.), acids or solvents.
 - Empty vacuum cleaner/dust extractor canister often.

CAUTION

Think safety! Safety is a combination of operator common sense and alertness at all times when tool is being used.

WARNING

Do not attempt to operate tool until it is completely assembled according to the instructions.

WARNING

Metal shavings or dust can set sawdust on fire. Collect wood materials only. Do not collect metal shavings or dust with anything that has metal in it. Disconnect dust collector system from any tool before working on metals. Remove all traces of wood dust from inside that tool's dust traps. Remove all traces of metal shavings or dust before reconnecting the vacuum/dust collector.

CAUTION

If using this Dust Collection Network to help keep airborne wood dust in heavy usage within acceptable limits, you must regularly monitor airborne dust and maintain the Dust Collection Network to avoid exceeding dust limits. Each application is unique. The maintenance schedule must be for the specific Dust Collection Network being used.

IMPORTANT: Always ensure the dust collection network is properly grounded. If in doubt, contact an electrician.

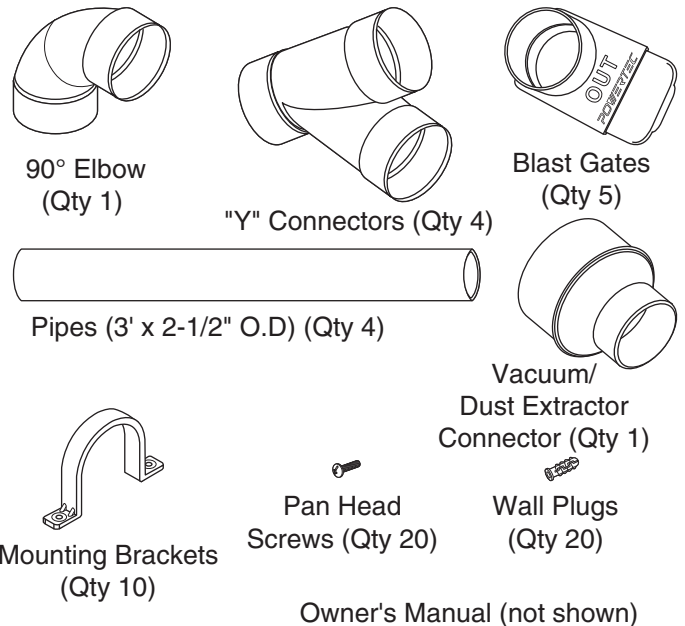
SAVE ALL WARNINGS AND INSTRUCTIONS FOR FUTURE REFERENCE

UNPACKING

Refer to Figure 1

- Examine shipping carton for freight damage before opening. If shipping carton is damaged file a claim with the carrier immediately.
- Carefully remove all contents from shipping carton. The shipping carton contains:

Figure 1



NOTE: Contact the customer service center if any of these parts are missing.

NOTE: After unit is assembled dispose of all packaging material in an environmentally safe way.

INSTALLATION

Refer to Figure 1 to 5

TOOLS NEEDED

The following tools (not included) are needed:

- Electric Drill
- 1/4" Drill Bit
- 1/4" Masonry Bit
- Screwdriver
- Pipe Cutter or Hacksaw with blades recommended for cutting plastic

ADDITIONAL PARTS NEEDED: 4" and 2-1/2" flexible dust collection hose, hose clamps and any additional adapters, specific to your application.

- Plan the shop floor layout before installing the dust collection network.
- The clear plastic components assemble with a snug friction fit and require no glue or special tools for assembly. This helps to see and clear blockages quickly and easily at any point in the system.
- The outside pipe joints may be wrapped in duct tape to improve the vacuum seal.
- Make the best use of the 3' length pipes. The pipes can be cut to size using a pipe cutter or hack saw with blades recommended for cutting plastic. Make sure all cuts are 90° and smooth.
- Assemble a "Y" connector and blast gate to each tool.
- Connect a 2-1/2" vacuum hose (not included) from the blast gate to the tool.
- Assemble the "Y" connectors as shown in Figure 2 with the air flow going toward the vacuum/dust extractor. Figure 3 shows the incorrect way to assemble the "Y" connectors.

Figure 2

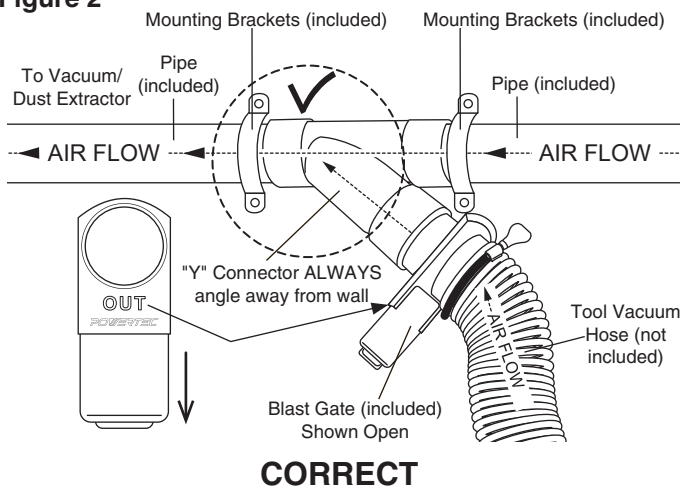
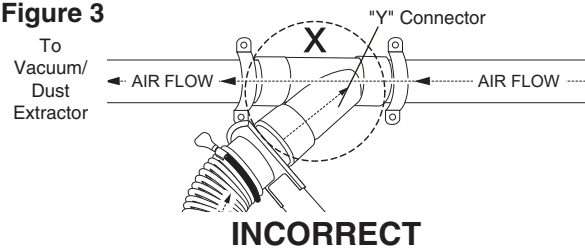


Figure 3



- When mounting the "Y" connectors to the wall always angle the "Y" connector away from the wall to allow clearance for the vacuum gate, see Figure 2.
- Always assemble the blast gates at the "Y" connectors.
IMPORTANT: The OUT on the blast gate **MUST** be oriented toward the "Y" connector.
- Assemble a blast gate at the end of the dust collection network.
- Figure 5 is an example of the dust collection network assembled.
- Jointers and planers should be positioned the closest to the vacuum/dust extractor for best performance.
- Assemble the vacuum/dust extractor connector to the dust collection network and then to the vacuum hose of a vacuum/dust extractor. **NOTE:** the vacuum/dust extractor must have at least 100 CFM.
- For best performance of the network close all of the blast gates except for the one attached to the tool being used. Figure 4 shows the blast gates in the Open and Closed positions.

Figure 4

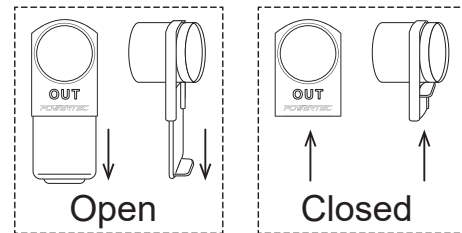


Figure 5

